

# Pica S

Architectural Profile

L011



Also Available in:



Architectural profile manufactured from AL6063 type aluminium fitted with UV stabilised square opal lens.

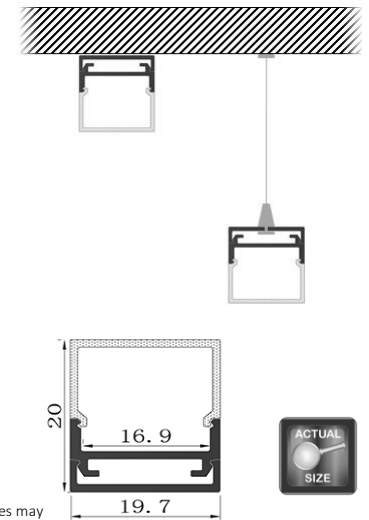
Features snap on mounting plate. Also useful for concealing low voltage power cable.

Recommended for LED types up to 25W/m output.

Supplied made to measure with all accessories and drivers as required. Configured to suit most dimming protocols.

### Suggested LED Types:

- 3528-120-10
- 3528-180-15
- 5050-120-24
- 2835-120-10
- 2835-120-24
- 2835-180-18
- 2110-700-20



Please contact us for specification codes to match your selections.

Some details on profiles may change without notice.